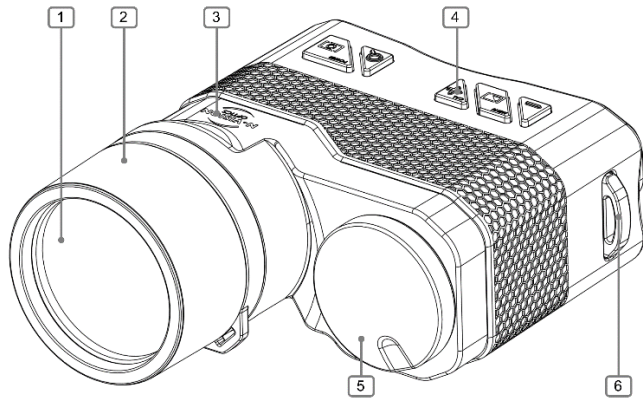
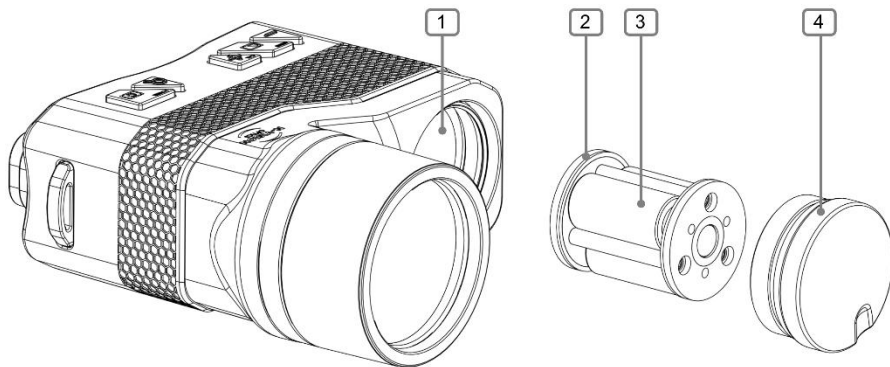


## ATLAS QUICK REFERENCE GUIDE



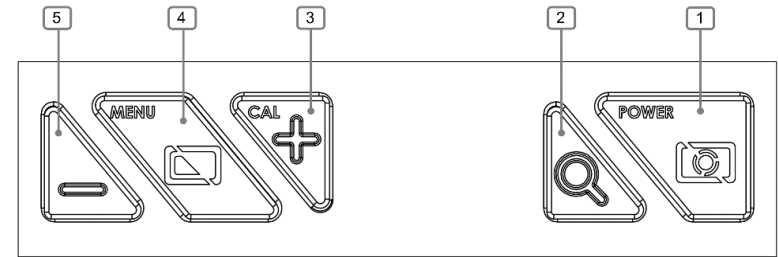
**Main Components**

<b>1</b>	Objective Lens	<b>4</b>	Control Switches
<b>2</b>	Objective Lens Focusing Ring	<b>5</b>	Battery Compartment Cover
<b>3</b>	ATLAS Housing	<b>6</b>	Neck Strap Lug



**INSTALLING BATTERIES.** ATLAS uses three CR123 batteries. Batteries are placed in the Battery Cartridge (2). Battery Cartridge can be inserted in the Battery Compartment either side forward.

Unscrew the Battery Compartment Cover (4) that is holding the Battery Cartridge. Pull Battery Cartridge (2) from the Battery Compartment Cover (4). Install three CR123 batteries (3) into the Battery Cartridge (2). Slide Battery Cartridge (2) with installed batteries into the Battery Compartment Cover (4). Screw Battery Compartment Cover (4) with Battery Cartridge (2) holding batteries back into the Battery Compartment (1).



### Getting Started

**POWERING ON/OFF:** To switch ATLAS on, press and hold Power/Photo switch (1) for three seconds. To turn ATLAS off, press and hold Power/Photo switch (1) for approximately two seconds.

**FOCUSING:** To focus objective lens, rotate Objective Lens Focusing Ring until image is sharp.

**DIGITAL ZOOM (Switch 2).** Cycles digital zoom settings (1X, 2X, 4X)

**INCREASING CONTRAST ENHANCEMENT (Switch 3, press and release).**

Increases the Contrast Enhancement (CE) level of the image.

**DECREASING CONTRAST ENHANCEMENT (Switch 5, press and release).**

Decreases the Contrast Enhancement (CE) level of the image.

**CALIBRATION (Switch 3, press and hold down for 3 seconds).** Performs uniformity calibration.

**POLARITY (Switch 4, press and release).** Cycles between White Hot, Black Hot, Color mode, and Edge Detection mode.

**MENU MODE ACCESS (Switch 4, press and hold down for 3 seconds).** Enters Menu Mode.

**MENU MODE NAVIGATION.** Use switches 3 and 5 to move between menu items. Use switch 4 to select.

**CHANGING VALUES IN MENU MODE.** Use switch 4 to select item to change (pointer will turn red). Use switches 3 and 5 to change values. Use switch 4 to complete change (pointer will turn white).

**VIEWING PICTURES IN GALLERY.** Access Gallery via Menu Mode. Use switches 3 and 5 to go to next/previous picture. Use switch 4 to exit.

For more information, see ATLAS User Manual at <http://www.nvisionoptics.com/product/atlas/>